

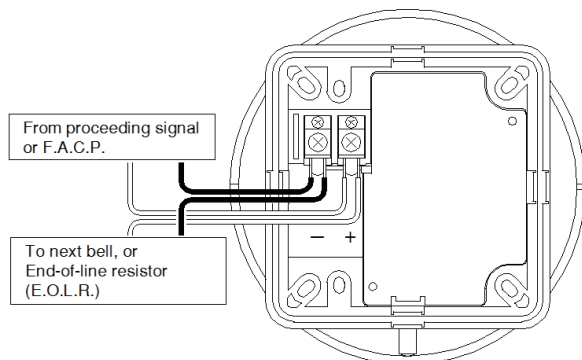


■ Features

- Conventional fire alarm bell
- 150mm (6 inch)
- Rating 10 mA@24 VDC
- Min. Sound Output : 75.6 dBA@10 ft per UL464

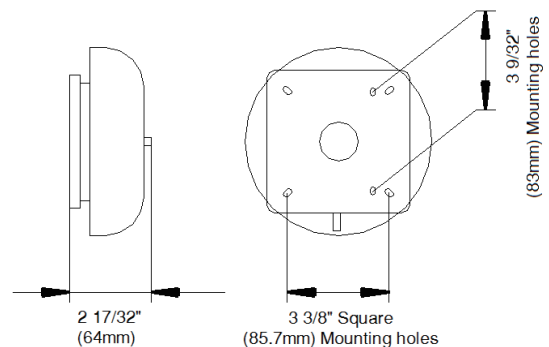
■ Installation

Wiring (rear view) Observe Polarity

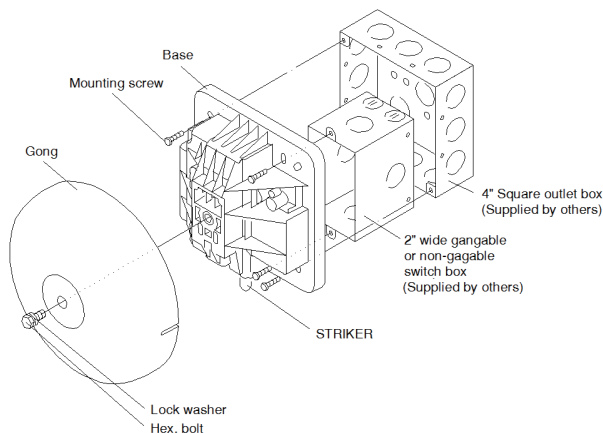


■ Specifications

Dimensions



Surface Installation



Specifications	EVCA-B-6-24
Operating Voltage	24 VDC
Max. RMS Operating Current	19-33 VDC : 13.5mA 19-33V FWR : 24.5mA
Min. Sound Output	75.6 dBA@10 ft per UL464
Operating Temperature	- 10°C to + 40°C
Option Parts	EVCA-B-BBX-4 water proof back box

